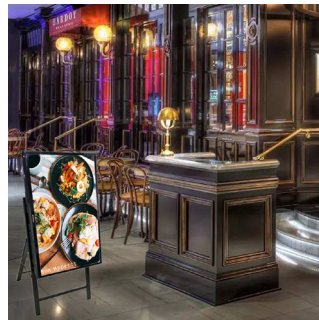
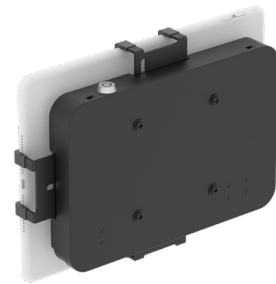




it's a clever idea!



PRODUCT CATALOG

LCD Arm, Ergo Accessories, Multi Stand, Flat TV Mount

We offers a variety of TV Mounts Solutions.



Find your perfect solutions!



Corporate



Restaurants



Retail

Airport



Easy installation



Education



Custom Fit Solution
for Every Space



Healthcare



A-Clever Technology positions oneself as an innovative and reliable manufacturer on ergonomic product market for workplace and home.

There is more to our products than just metal by extending our product lines with latest technology, we wish to offer our valuable customers the a-clever way of mounting solutions.

The knowledge and experience A-Clever Technology has gained since 1986, we are enabled to offer products to you distinguishing ourselves in quality and functionality.

A-Clever Technology has a complete assortment of floor, wall and ceiling solutions for flat panel monitors, medical equipment and computer accessories. Each product is developed and manufactured in our own factory, in Taiwan.



TABLE OF CONTENTS

Mobile Stand

Pages3-17

Tablet Holder Stand

A355C • A357C • A80A • A253

Mobile LCD TV stand

A336B • A354B • A340 • A4100 • A430 • A370 • A390 • A391 • A330A • A330B
• A336A • A351 • A354A

Sit-Stand Mobile Desk

A470

Signage Stand

A325

Wall Mount

Pages14-26

Wall Mount

A420 • A421 • A422 • A431 • A341 • A650 • A660B • A670 • A750 • A760
A800B • A800C • FC8888S • FC8888SB

Articulating Arm

A770B • A771B • A774 • A773A • A875A • A811A • A811W • A851D • A851E
• FC8888WP • FC8888PP

Medical Arm

A950 • A953

Ceiling Mount

Pages31-32

Ceiling Mount

A160A • A160B • FC8888SL • A180 • A181

Pole Mount

Pages33

Partition Arm • Pole Mount

FC8888SP • FC8888SD • A830

Table Mount

Pages34-40

Table Arm

A815 • A813 • A820 • A840 • A851 • A852 • A854
• FC8888P • FC8888IP • FC8888CP • FC8888HP

Table Stand

A500 • A512 • A812 • A822 • A828 • A862 • A864

Workstation

Pages41-42

Mobile Workstation

A300M • A310

Accessories

Pages43-44

Ergonomic Accessories

FC666 • FC2150 • FC200

Tablet Holder Stand



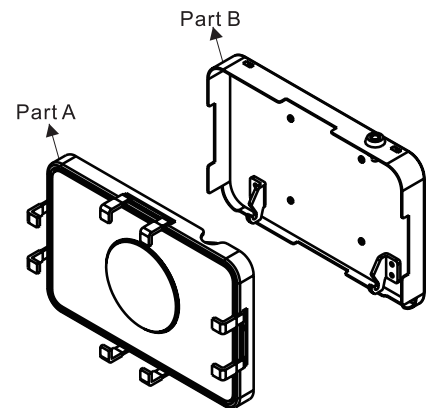
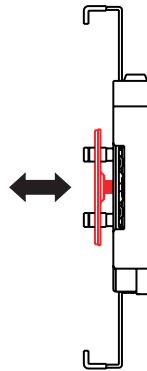
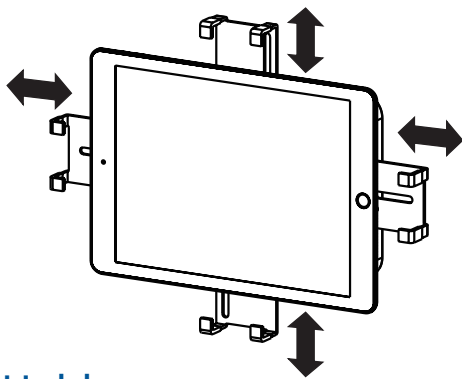
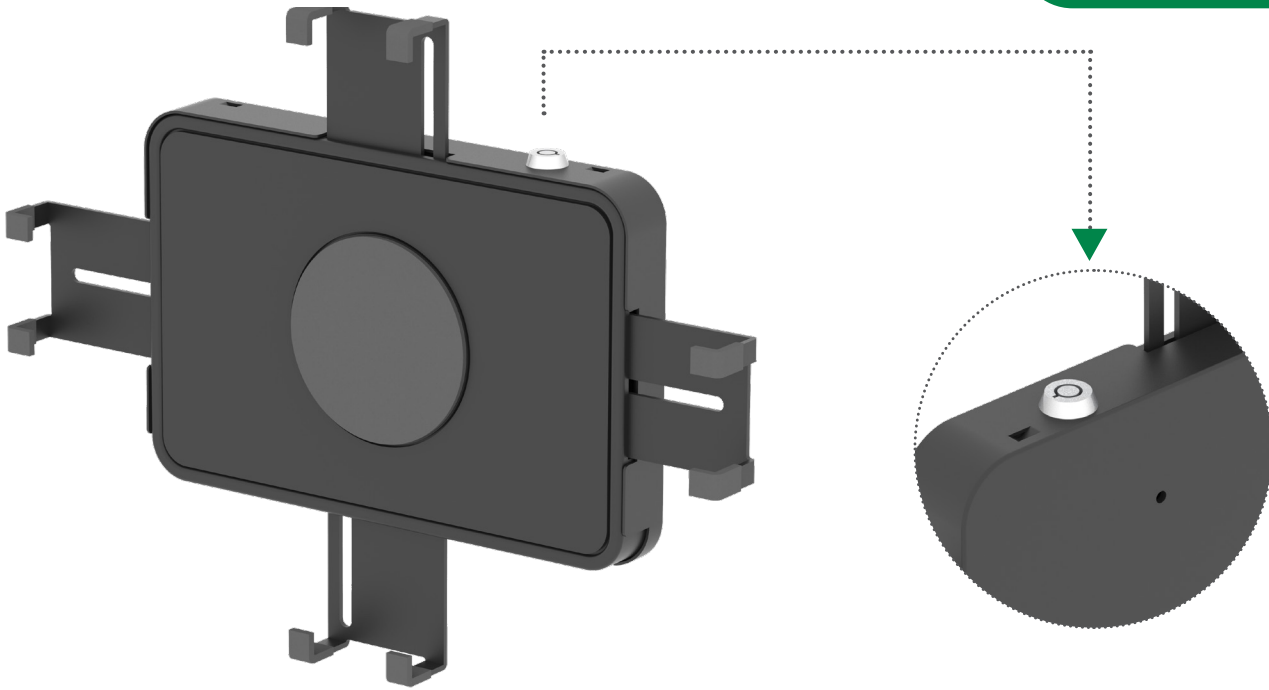
Tablet Holder Stand

• A355C

Features:

- Suitable for tablets 7" to 13"
- Max. Device Depth 10mm(0.39")
- Height adjustable from 920mm to 1620mm
- 2" locking casters for safe & easy maneuverability
- With anti-theft lock
- Base Dims:435(W) x 450(D)mm

Model	Max Load	Monitor Swivel	Swivel Left& Right	Pivot Up& Down	Adjustable Height	Color
A355C01	5kg(11lb)	360°	360°	90°	700mm	Black



Tablet Holder

• A357C

Features:

- Suitable for tablets 7" to 13"
- Max. Device Depth 10mm(0.39")
- 4 adjustable clamping claws and 1 depth-adjusting plate allow 7"-13" tablets to fit in the tablet holder
- Rubber feet on the 4 clamping claws and EVA pad on the depth-adjusting plate protect your tablet from scratches
- With anti-theft lock
- Quick Assembly

Model	Max Load	Monitor Swivel	Swivel Left& Right	Pivot Up& Down	Adjustable Height	Adjustable Width	Color
A357C	5kg(11lb)	N/A	N/A	N/A	N/A	97(L)x95(W)x10(D) mm	Black White

Tablet Holder Arm



Ideal for workstation.



Tablet Wall Mount with easy and quick installation.

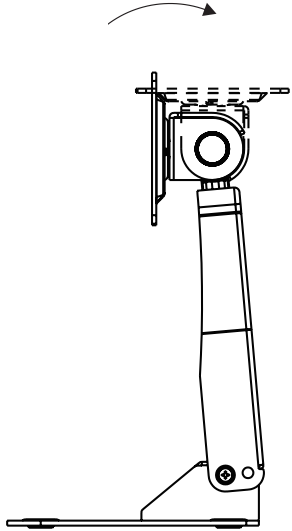
Monitor Arm

• A80A

Features:

- You can adjust the two ball type joints and stop them in any position
- Max load: 6 kg
- VESA standard: 75x75, 100x100mm
- Arm rotate: 360°
- Arm up & down swivel: +/-90°

Model	Distance from wall	Max Load	Monitor Swivel	Swivel Left& Right	Pivot Up& Down	VESA	Color
A80A01	30cm(11.8")	6kg (13lb)	360°	0°	±90°	75x75, 100x100 mm	Black



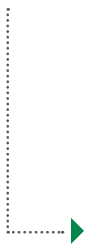
Sturdy steel stand and stable. Perfect stand for iPads.
Great for retail holder or simply for your desk.

Tablet Mount Stand

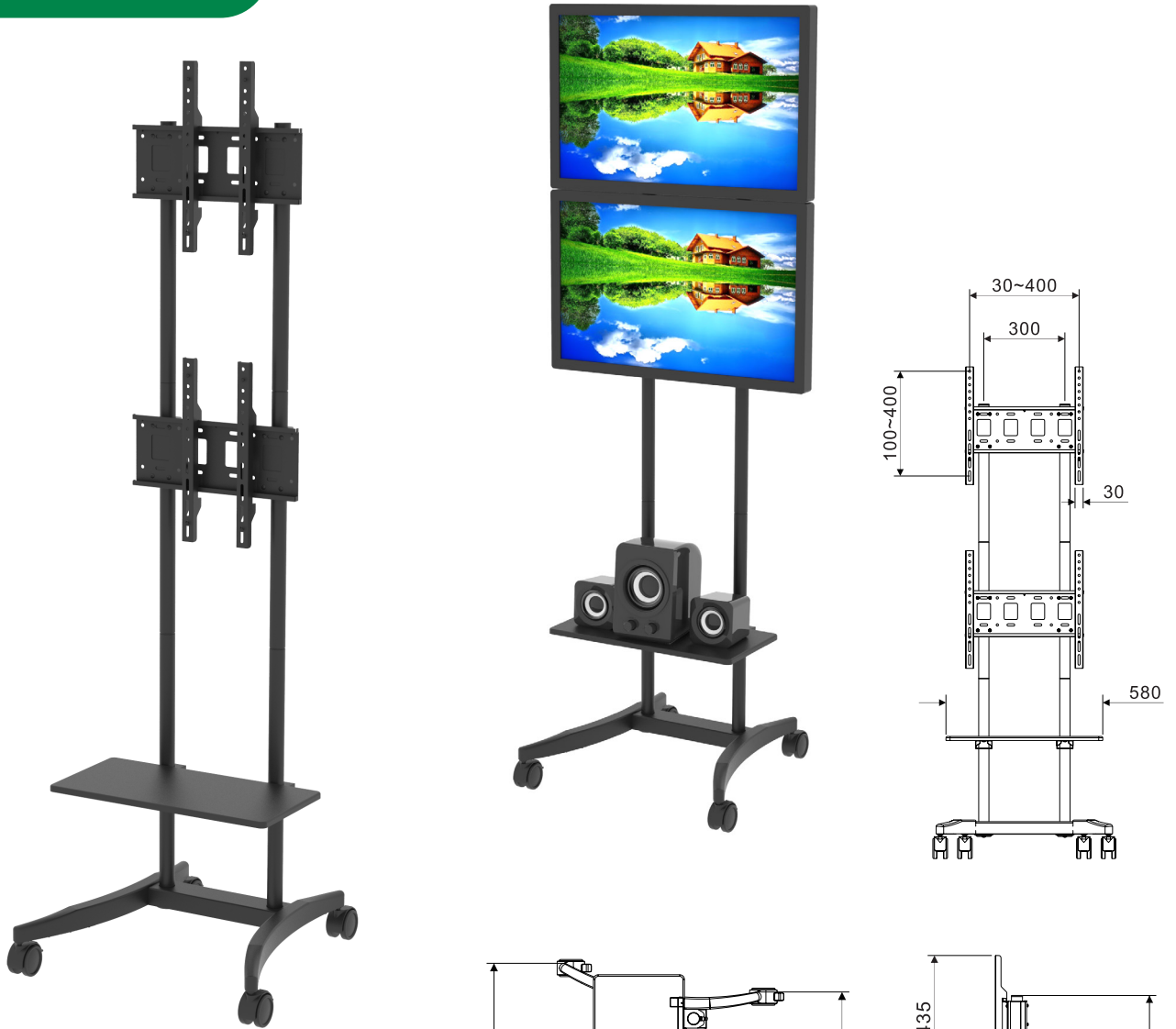
• A253

Features:

- Max load: 3 kg
- VESA standard: 75x75 mm
- Screen rotate: +/-180°
- Screen pivot up & down: 90°
- Sturdy base



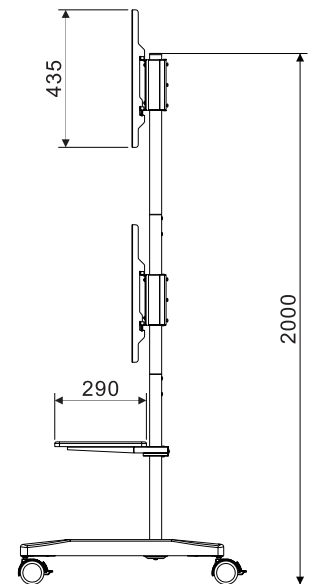
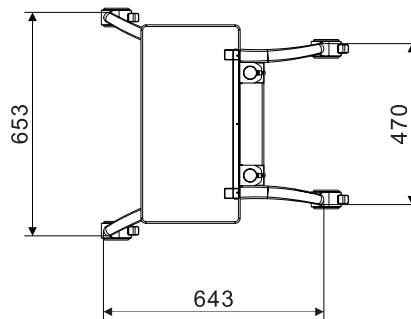
Model	Distance from wall	Max Load	Monitor Swivel	Swivel Left& Right	Pivot Up& Down	VESA	Color
A253A01	N/A	3kg (6.6lb)	±180°	0°	90°	75x75 mm	Black



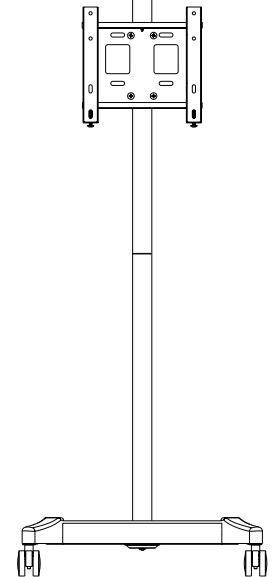
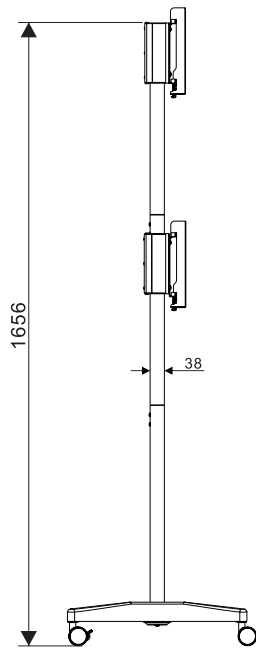
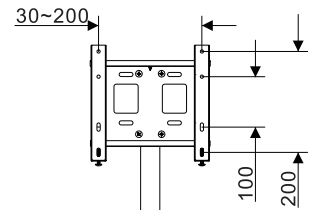
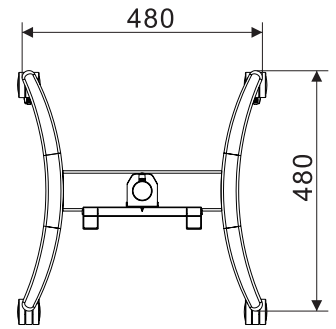
Dual Monitors Floor Stand • A336B

Features:

- Stacked dual monitors mount
- Fits 32" to 55" monitors
- Holds two monitors 50kg (110lb) in weight
- Monitors can be fixed at any vertical position
- Comes with a shelf that allows you to install a tuner or DVD recorder
- With casters (75mm dia.) equipped with stoppers.



Model	Max Load	Monitor Swivel	Swivel Left& Right	Pivot Up& Down	VESA	Color
A336B	50kg(110 lb)	0°	0°	0°	X:30-400mm Y:100-400mm	Black



Dual Monitors Mobile Stand

• A354B

Features:

- Stacked dual monitors mount
- Fits 24" to 32" monitors
- Holds two monitors 20kg (44lb) in weight
- Monitors can be fixed at any vertical position
- With casters(50mm dia.). The two front caster are equipped with stoppers.

Model	Max Load	Monitor Swivel	Swivel Left& Right	Pivot Up& Down	VESA	Color
A354B	20kg(44 lb)	0°	0°	0°	X:30x200mm Y:100x200mm	Black



Dynamic Height Adjustable Floor Stand

• A340

Features:

- Travel distance: 500mm(19.68")

Raise and lower large display with only a light effort to any vertical position.

Model	Max Load	Monitor Swivel	Swivel Left& Right	Pivot Up& Down	Adjustable Height	VESA	Color
A340	60-90kg (132-198lb) 90-120kg (198-264lb)	0°	0°	0°	Max.500mm (19.68")	X:30-1040mm Y:50-900mm	Black



Raise and lower large display with only a light effort to any vertical position.

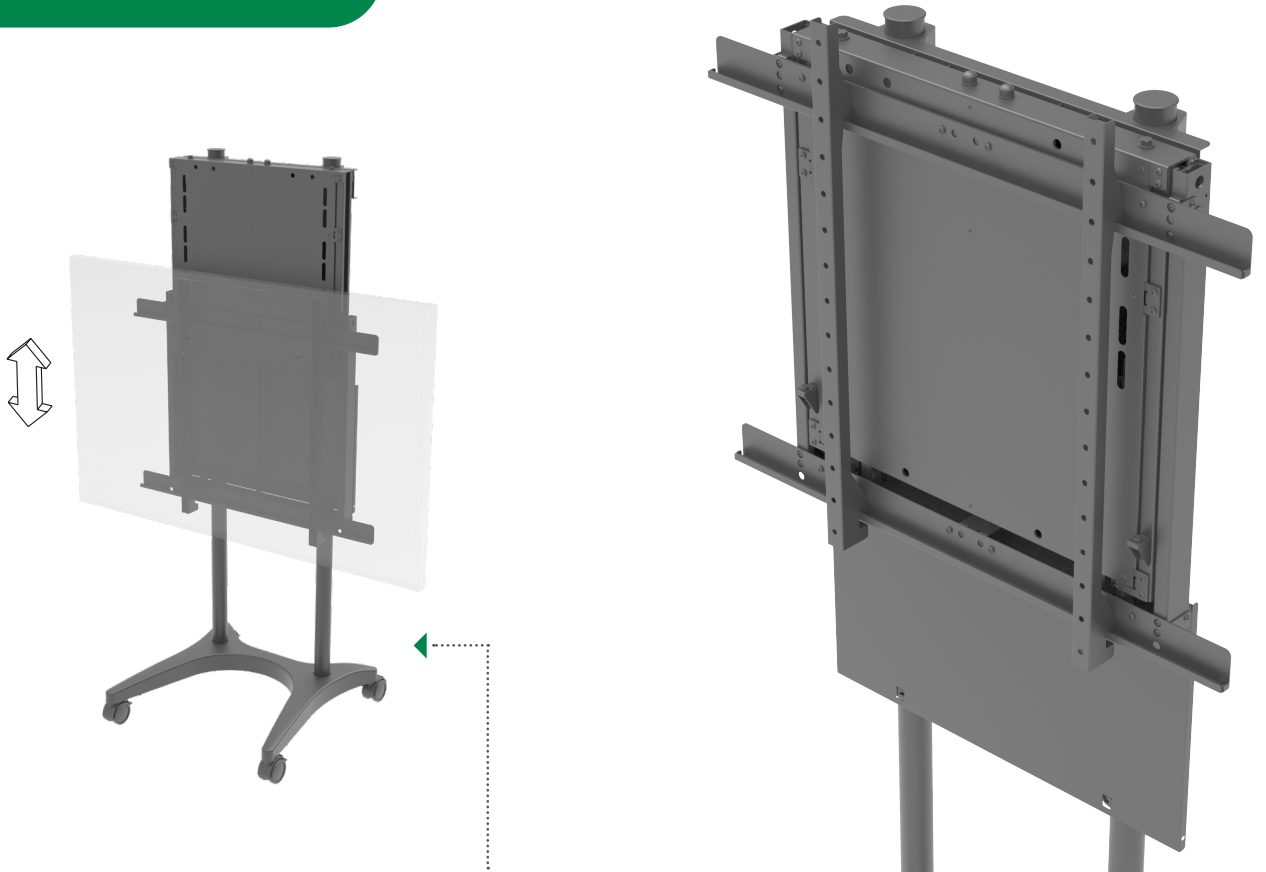
Dynamic Height Adjustable Floor Stand

• A4100

Features:

- Travel distance: 400mm
- Easily moving & set-up at any place
- Three different load weights: 16-30kg / 33-60kg / 60-90kg
- Base Dims: 1000(W) x 640(D)mm

Model	Max Load	Monitor Swivel	Swivel Left& Right	Pivot Up& Down	Adjustable Height	VESA	Color
A4100	16-30kg(35-66lb) 33-60kg (72.6-132lb) 60-90kg (132-198lb)	0°	0°	0°	Max.400mm (15.74")	X:30-800mm Y:50-700mm	Black











Raise and lower large display with only a light effort to any vertical position.

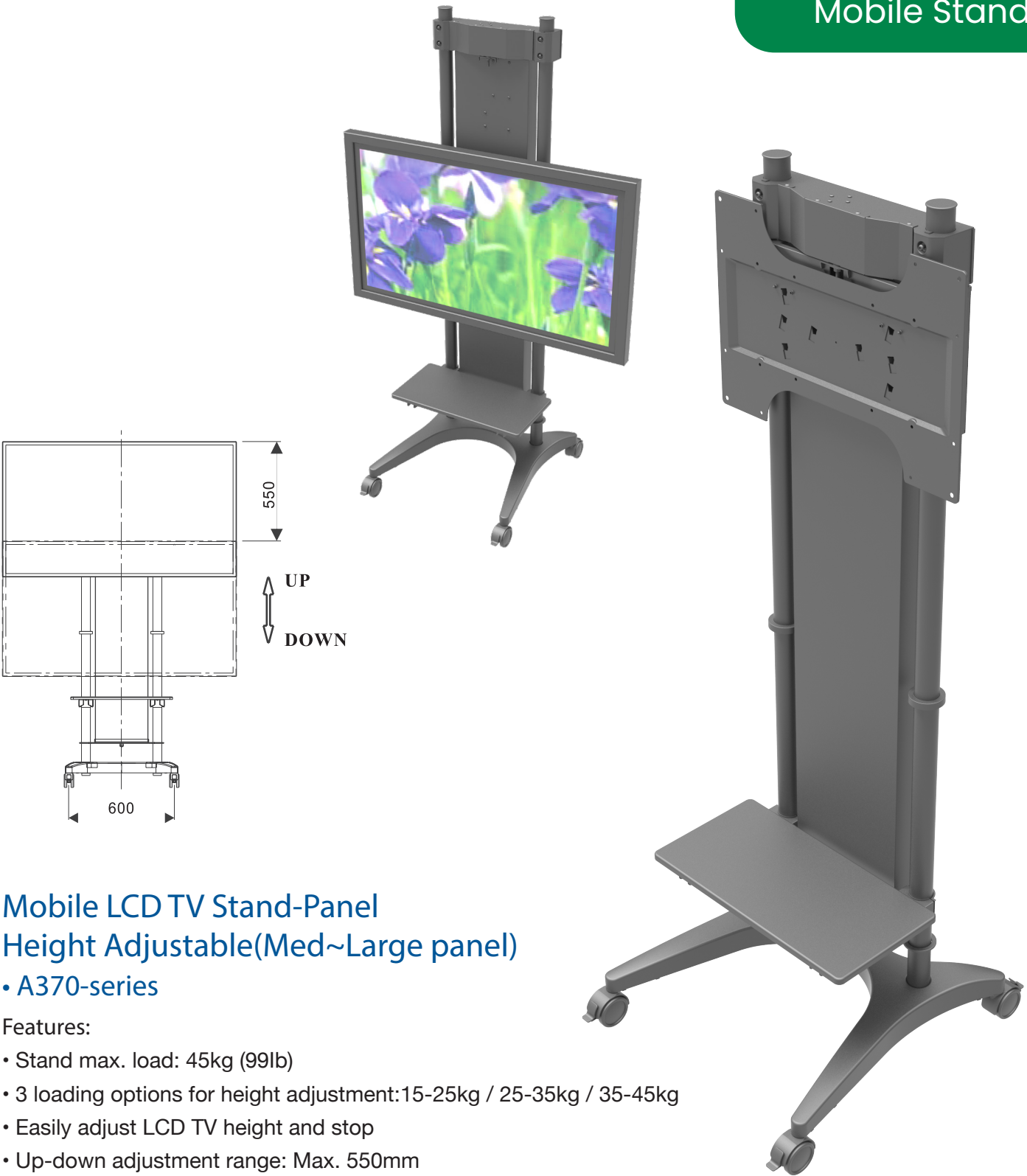
Dynamic Height Adjustable Floor Stand

• A430

Features:

- Travel distance: 400mm(15.74")
- Easily moving & set-up at any place
- Three different load weights:16-30kg / 33-60kg / 60-90kg
- Base Dims: 600(W) x 600(D)mm

							
Model	Max Load	Monitor Swivel	Swivel Left& Right	Pivot Up& Down	Adjustable Height	VESA	Color
A430	16-30kg(35-66lb) 33-60kg (72.6-132lb) 60-90kg (132-198lb)	0°	0°	0°	Max.400mm (15.74")	X:30-800mm Y:50-700mm	Black



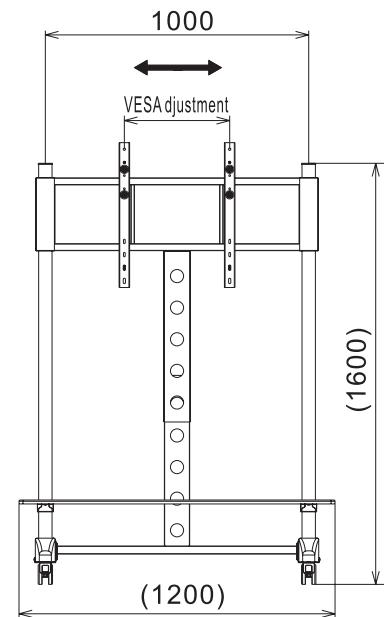
**Mobile LCD TV Stand-Panel
Height Adjustable(Med~Large panel)**

• A370-series

Features:

- Stand max. load: 45kg (99lb)
- 3 loading options for height adjustment:15-25kg / 25-35kg / 35-45kg
- Easily adjust LCD TV height and stop
- Up-down adjustment range: Max. 550mm
- Easily moving & set-up at any place

A370	15-25kg(33-55lb) 25-35kg (55-77lb) 35-45kg (77-99lb)	0°	0°	0°	Max.550mm (21.65")	200x200mm 200x400mm 400x400mm 400x600mm	Black



Mobile LCD TV Stand

• A390

Features:

- Install easily & move freely
- LCD TV/ Plasma position easily adjustable
- Cable management
- Max.LCD TV/ Plasma load capacity: 100kg (220lb)

Model	Max Load	Monitor Swivel	Swivel Left& Right	Pivot Up& Down	VESA	Color
A390	100kg (220lb)	0°	0°	0°	X:400-800mm Y:200-500mm	Black



Multi-Monitor Floor Stand Mount for LCD/LED

• A391

Features:

- Holds the weight of four large LCD display monitors
- Save space and can be easily moved to different locations

Model	Max Load	Monitor Swivel	Swivel Left& Right	Pivot Up& Down	VESA	Color
A391	100kg (220lb)	0°	0°	0°	Multiple Patterns	Black

Mobile LCD TV Stand

• A330A

Features:

- Easy installation & move anywhere
- Max LCD TV/Plasma load capacity: 50kg(110lb)
- Meets VESA standard: 200x100, 200x200
- Optional MDF or glass shelves

Model	Max Load	Monitor Swivel	Swivel Left& Right	Pivot Up& Down	VESA	Color
A330A	50kg(110lb)	0°	0°	0°	200x100 200x200	Silver



Mobile LCD TV Stand

• A330B

Features:

- Easy installation & move anywhere
- LCD TV/Plasma position easily adjustable
- Max LCD TV/Plasma load capacity: 80kg(176lb)
- Cable management & optional TV module
- Optional MDF or glass shelves
- Adjustable screw position from 40-705mm (1.5"-27.7") to 60-500mm (2.3"-19.6")

Model	Max Load	Monitor Swivel	Swivel Left& Right	Pivot Up& Down	VESA	Color
A330B	80kg(176lb)	0°	0°	0°	Multiple patterns	Black



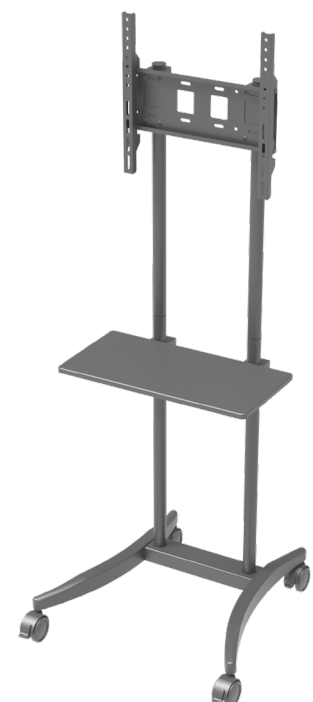
Mobile LCD TV Stand

• A336A

Features:

- Easy installation & move anywhere
- LCD TV/Plasma position easily adjustable
- Max LCD TV/Plasma load capacity: 50kg(110lb)
- Optional TV module

Model	Max Load	Monitor Swivel	Swivel Left& Right	Pivot Up& Down	VESA	Color
A335	50kg(110lb)	0°	0°	0°	X:30-400mm Y:100-400mm	Black



Portable & Disassemble LCD TV

• A351

Features:

- Max load: 10kgs
- Compact package & portable after disassembling
- Panel tilting for best viewing angles: 5-levels tilting degree: down 13°-up 45°
- Easily disassemble & set-up at any place

Model	Max Load	Monitor Swivel	Swivel Left& Right	Pivot Up& Down	Adjustable Height	VESA	Color
A351	10kg(22lb)	0°	0°	-13°, 90°, 13° 27°, 45°	740-1600mm	100x100 200x100 200x200	Black

Mobile Stand

• A354A

Features:

- Max load capacity: 20kg(44lb)
- Install easily & move freely
- Base Dims: 435(W) x450(D)mm (17.12"x17.71")

Model	Max Load	Monitor Swivel	Swivel Left& Right	Pivot Up& Down	VESA	Color
A354	20kg(44lb)	0°	0°	0°	X:30x200mm Y:100x200mm	Black

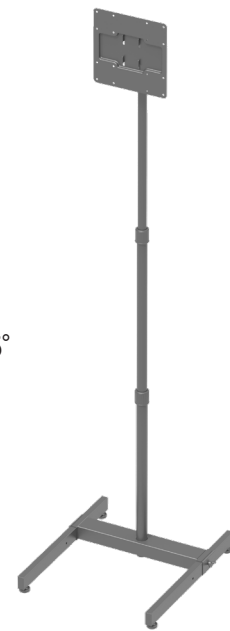
Sit-Stand Mobile Desk

• A470

Features:

- Active weight capacity: 10kg(22lb)
- Easy installation & move anywhere
- Up-down adjustment range: 735-1120mm(28.9"-44")
- Base Dims: 435(W) x 450(D)mm

Model	Max Load	Table Size	Base Size	Color
A470	10kg(22lb)	680mm(L)x500mm(W) 26.7"(L)x 19.6"(W)	435mm(W)x450mm(D) 17.12"(W)x 17.71"(D)	Black





Portable Digital Signage Stand

• A325

Features:

- Easy installation & move anywhere
- LCD TV/Plasma position easily adjustable

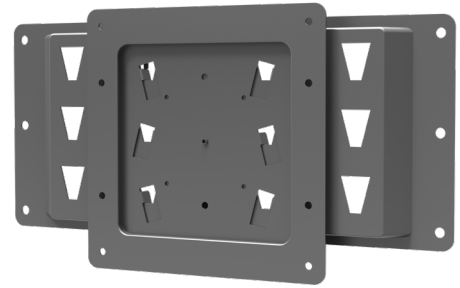
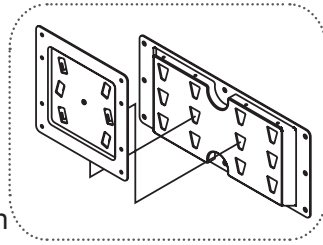
Model	Max Load	Monitor Swivel	Swivel Left& Right	Pivot Up& Down	VESA	Color
A325	50kg(110lb)	0°	0°	0°	X:40-400mm Y:50-500mm	Black

Fixed Mount

• A420

Features:

- Slim wall mount and simple installation
- Dimension: 430x230mm(16.9"x 9")
- Wall mount screw range: 406x160mm(15.9"x6.2")
- Meet RoHS standard compliance
- Mount to 16" studs



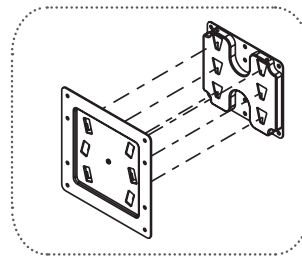
Model	Distance from wall	Max Load	Monitor Swivel	Swivel Left& Right	Pivot Up& Down	VESA	Color
A420	2.9cm(1.1")	50kg(110lb)	0°	0°	0°	200x100mm 200x200mm	Black

Fixed Mount

• A421

Features:

- Meets VESA standard: 200x100/200x200mm
- Dimension: 230x230mm(9"x 9")
- Wall mount screw range:175x150mm(6.8"x 5.9")
- Meet RoHS standard compliance
- Mount to 16" studs



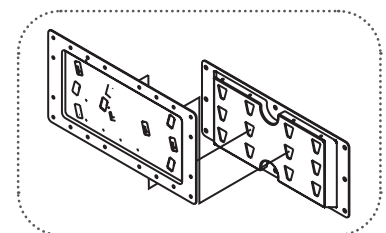
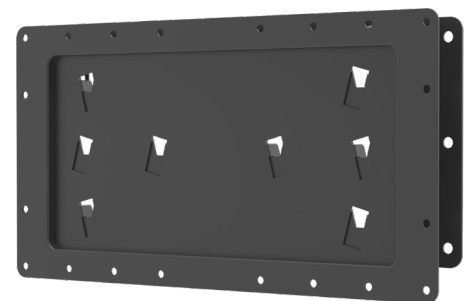
Model	Distance from wall	Max Load	Monitor Swivel	Swivel Left& Right	Pivot Up& Down	VESA	Color
A421	2.5cm(0.9")	70kg(154lb)	0°	0°	0°	200x100mm 200x200mm	Black

Fixed Mount

• A422

Features:

- Max load capacity: 100kg (220lb)
- Slim wall mount and simple installation
- VESA hook mount on wall
- Dimension: 420x220mm(16.5"x 8.6")



Model	Distance from wall	Max Load	Monitor Swivel	Swivel Left& Right	Pivot Up& Down	VESA	Color
A422	3cm(1.2")	100kg(220lb)	0°	0°	0°	200x200mm 300x200mm 400x100mm 400x200mm	Black











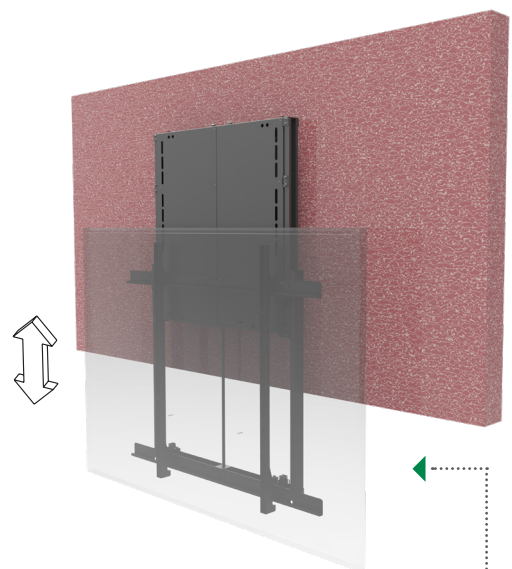
Dynamic Height Adjustable Wall Mount

• A431

Features:

- Travel distance: 400mm(15.74")
- Three different load weights:16-30kg / 33-60kg / 60-90kg

							
Model	Max Load	Monitor Swivel	Swivel Left& Right	Pivot Up& Down	Adjustable Height	VESA	Color
A431	16-30kg(35-66lb) 33-60kg (72.6-132lb) 60-90kg (132-198lb)	0°	0°	0°	Max.400mm	X:30-800mm Y:50-700mm	Black



Dynamic Height Adjustable Wall Mount

• A341

Features:

- Travel distance: 500mm(19.68")

Raise and lower large display with only a light effort to any vertical position.

Model	Max Load	Monitor Swivel	Swivel Left& Right	Pivot Up& Down	Adjustable Height	VESA	Color
A341	60-90kg (132-198lb) 90-120kg (198-264lb)	0°	0°	0°	Max.500mm	X:30-1040mm Y:50-900mm	Black

Tilt Mount

• A650

Features:

- Heavy duty mount and easy installation
- Adjustable screw position for TV backside mount
- TV backside horizontal screw range: 40-690mm(1.5"-27")
- TV backside vertical screw range:60-500mm(2.3"-19.6")
- Mounts to 16", 20", 24" studs



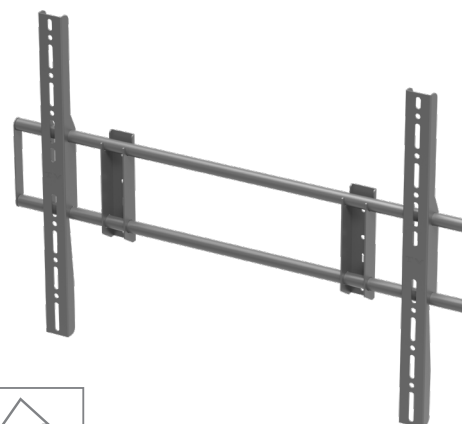
Model	Distance from wall	Max Load	Monitor Swivel	Swivel Left& Right	Pivot Up& Down	VESA	Color
A650	7.5cm(2.9")	80kg(176lb)	0°	0°	+20° / -6°	Multiple patterns	Black

Fixed Mount

• A660B

Features:

- Heavy duty mount and easy installation
- Adjustable screw position for TV backside mount
- TV backside horizontal screw range: 40-705mm (1.5"-27.7")
- TV backside vertical screw range: 60-500mm (2.3"-19.6")



Model	Distance from wall	Max Load	Monitor Swivel	Swivel Left& Right	Pivot Up& Down	VESA	Color
A660B	3.8cm(1.5")	80kg(176lb)	0°	0°	0°	Multiple patterns	Black

Fixed Mount

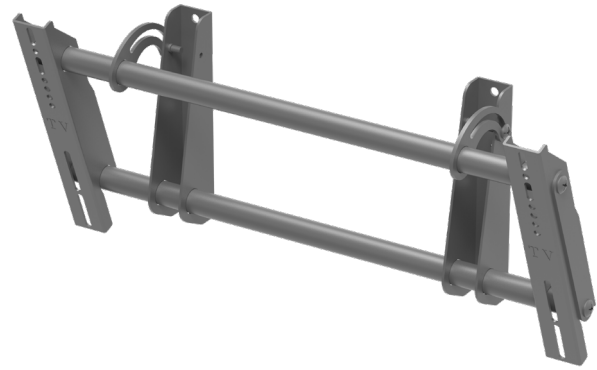
• A670

Features:

- Heavy duty mount and easy installation
- Adjustable screw position for TV backside mount
- TV backside horizontal screw range: 30-800mm(1.1"-31.4")
- TV backside vertical screw range: 50-800mm(1.9"-31.4")



Model	Distance from wall	Max Load	Monitor Swivel	Swivel Left& Right	Pivot Up& Down	VESA	Color
A670	6cm(2.3")	150kg(330lb)	0°	0°	0°	Multiple patterns	Black



Tilt Mount

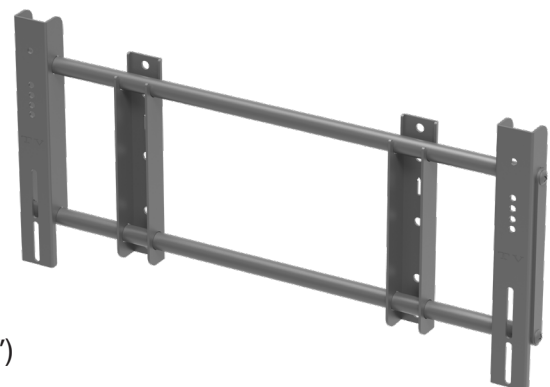
• A750

Features:

- Adjustable screw position for TV backside mount
- TV backside horizontal screw range: 30-400mm(1.1"-15.7")
- TV backside vertical screw range: 50-200mm(1.9"-7.8")
- Mounts to 16" studs

AVAILABLE: A751-Longer bracket to fit on TV backside screw range

Model	Distance from wall	Max Load	Monitor Swivel	Swivel Left& Right	Pivot Up& Down	VESA	Color
A750	5cm(1.9")	80kg(176lb)	0°	0°	20°	Multiple patterns	Black



Fixed Mount

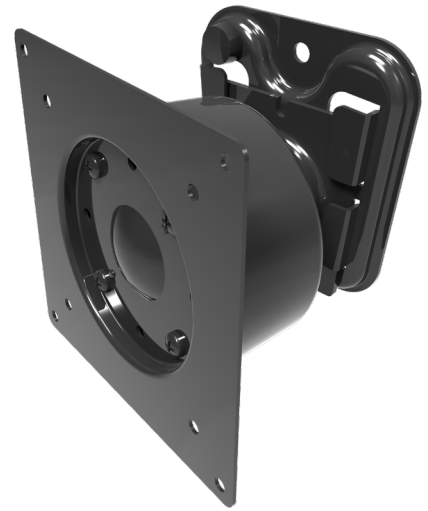
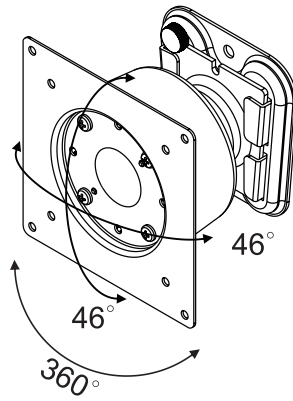
• A760

Features:

- Adjustable screw position for TV backside mount
- TV backside horizontal screw range: 30-400mm(1.1"-15.7")
- TV backside vertical screw range: 50-200mm(1.9"-7.8")
- Mounts to 16" studs

ALSO AVAILABLE: A761-Longer bracket to fit on TV backside screw range

Model	Distance from wall	Max Load	Monitor Swivel	Swivel Left& Right	Pivot Up& Down	VESA	Color
A760	2.6cm(1")	80kg(176lb)	0°	0°	0°	Multiple patterns	Black



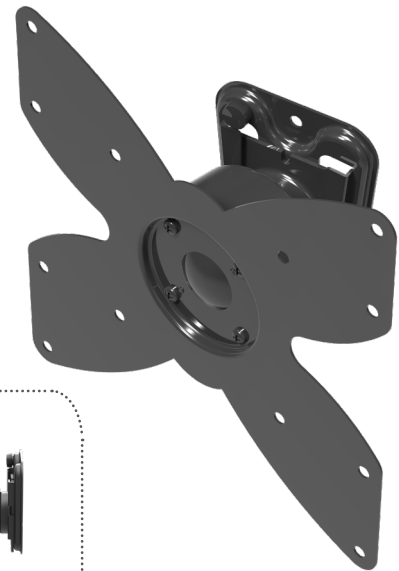
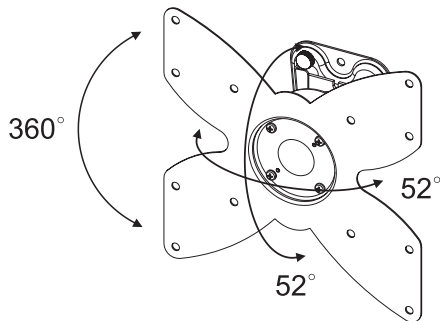
Pivot Mount

• A800B

Features:

- LCD monitor swivel: 360°, free rotation smoothly
- Distance from wall: 80mm
- Strong loading

Model	Distance from wall	Max Load	Monitor Swivel	Swivel Left& Right	Pivot Up& Down	VESA	Color
A800B	8cm(3.1")	15kg(33lb)	360°	± 23°	± 23°	75x75mm 100x100mm	Black



Fixed Mount

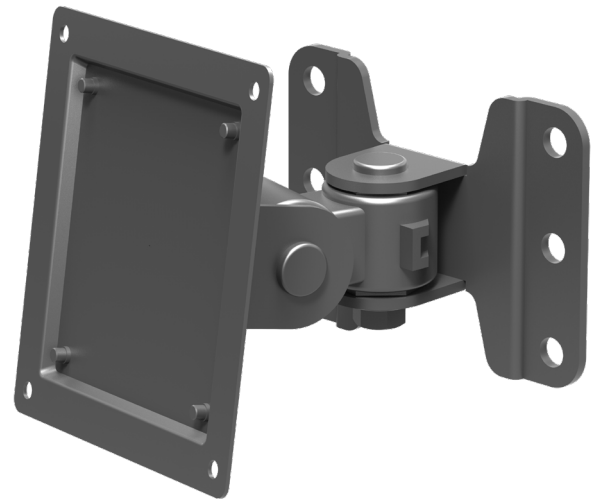
• A800C

Features:

- LCD monitor swivel: 360°, free rotation smoothly
- Distance from wall: 80mm
- Strong loading



Model	Distance from wall	Max Load	Monitor Swivel	Swivel Left& Right	Pivot Up& Down	VESA	Color
A800C	8cm(3.1")	16kg(35.2lb)	360°	± 26°	± 26°	100x100mm 200x200mm 200x100mm	Black











Mini Wall Mount

• FC8888S

Features:

- 3 directions mini wall mount
- Distance from wall: 96mm

							
Model	Distance from wall	Max Load	Monitor Swivel	Swivel Left& Right	Pivot Up& Down	VESA	Color
FC8888S	9.6cm(3.7")	15kg(33lb)	± 90°	± 45°	± 90°	75x75mm 100x100mm	Black/ White











Fixed Mount

• FC8888SB

Features:

- Mini hook mount on wall
- Dimension: 110x114mm

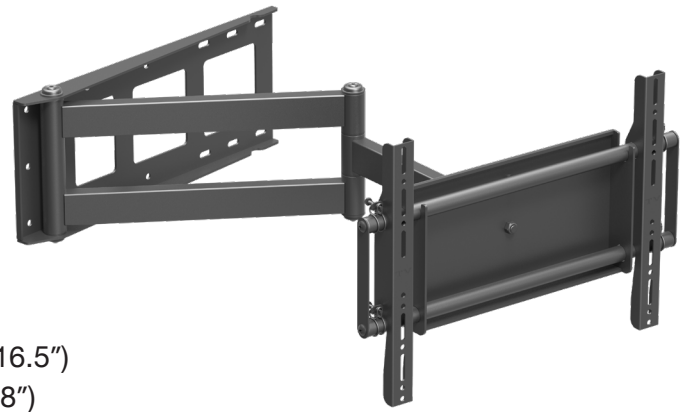
							
Model	Distance from wall	Max Load	Monitor Swivel	Swivel Left& Right	Pivot Up& Down	VESA	Color
FC8888SB	21mm(0.8")	30kg(66lb)	0°	0°	0°	75x75mm 100x100mm	Black

Articulating Mount

• A770B

Features:

- Adjustable screw position for TV backside mount
- TV backside horizontal screw range: 30-420mm(1.1"-16.5")
- TV backside vertical screw range: 48-302mm(1.8"-11.8")
- Mounts to 16" studs



Model	Distance from wall	Max Load	Monitor Swivel	Swivel Left& Right	Pivot Up& Down	VESA	Color
A770B	14-71cm (5.5"-27.9")	50kg(110lb)	±10°	±90°	+15°/-5°	Multiple patterns	Black/Silver

Articulating Mount

• A771B

Features:

- Adjustable screw position for TV backside mount
- TV backside horizontal screw range: 40-705mm(1.5"-27.7")
- TV backside vertical screw range: 60-500mm(2.3"-19.6")
- Mounts to 16", 20", 24" studs
- Product weight: 9kg (20lb)



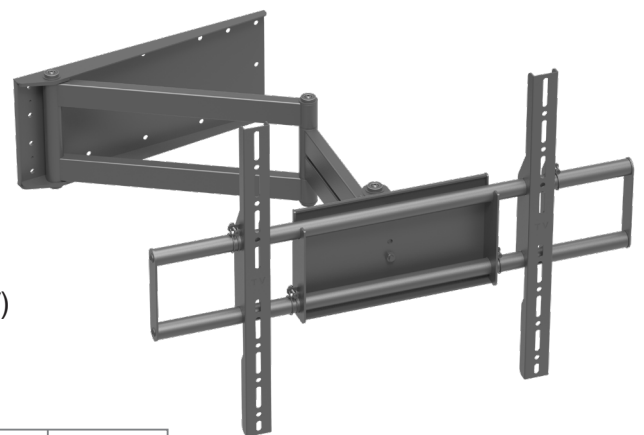
Model	Distance from wall	Max Load	Monitor Swivel	Swivel Left& Right	Pivot Up& Down	VESA	Color
A771B	14-72cm (5.5"-28.3")	50kg(110lb)	±10°	±90°	+15°/-5°	Multiple patterns	Black/Silver

Articulating Mount

• A774

Features:

- Adjustable screw position for TV backside mount
- TV backside horizontal screw range: 40-705mm(1.5"-27.7")
- TV backside vertical screw range: 60-500mm(2.3"-19.6")
- Product weight: 12.5kg(27.5lb)



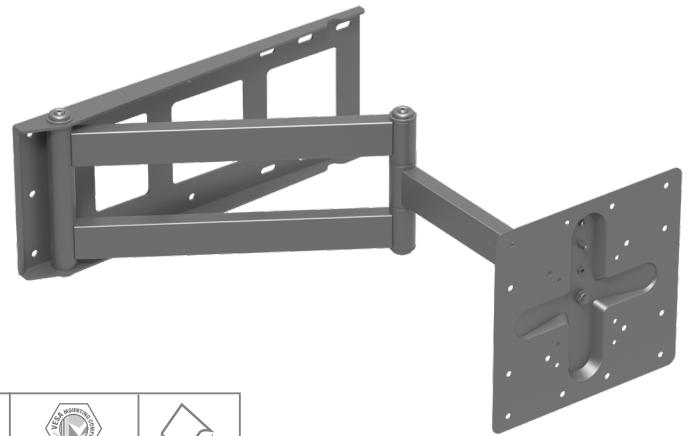
Model	Distance from wall	Max Load	Monitor Swivel	Swivel Left& Right	Pivot Up& Down	VESA	Color
A774	15-80cm (5.9"-31.4")	80kg(176lb)	±10°	±90°	+15°/-5°	Multiple patterns	Black/Silver

Articulating Mount

• A773A

Features:

- Max load capacity: 50kg (110lb)
- Monitor horizontal adjustable: 20°
- Monitor up& down tilt: 20°
- TV mount left & right swivel: 180°



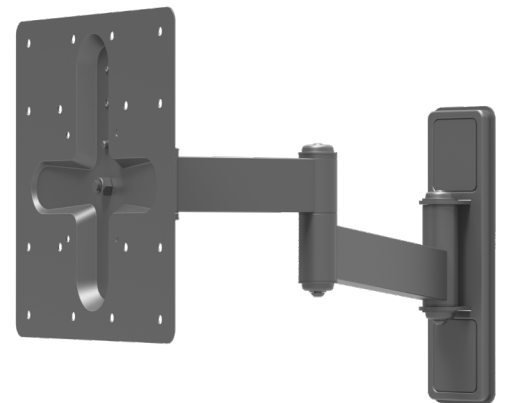
Model	Distance from wall	Max Load	Monitor Swivel	Swivel Left& Right	Pivot Up& Down	VESA	Color
A773	20-63cm (7.8"-24.8")	50kg(110lb)	±10°	±90°	+15°/-5°	100x100mm 100x200mm 200x200mm	Black

Articulating Mount

• A875A

Features:

- VESA compatible swiveling articular and tilting arm
- TV backside screw size: M4,M6,M8
- Cable management with metal wire
- Mount to single stud



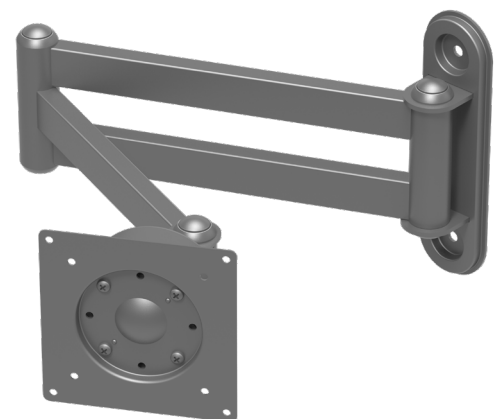
Model	Distance from wall	Max Load	Monitor Swivel	Swivel Left& Right	Pivot Up& Down	VESA	Color
A875	8.5cm-47cm (3.3"-18.5")	30kg(66lb)	±10°	±90°	+15°/-5°	75x75mm 100x100mm 200x100mm 200x200mm	Black/Silver

Articulating Mount

• A811A

Features:

- Superior flexibility and movement
- Made of recycled iron material
- Max load capacity: 10kg
- Can mount monitor size up to 26"



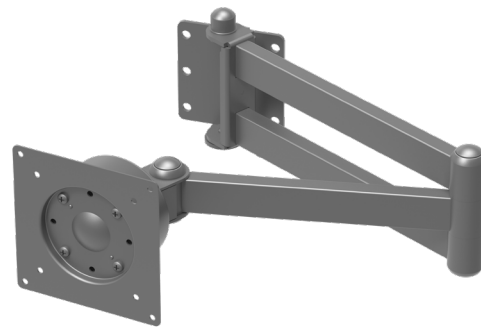
Model	Distance from wall	Max Load	Monitor Swivel	Swivel Left& Right	Pivot Up& Down	VESA	Color
A811	11-56cm (4.3"-22")	10kg(22lb)	360°	±30°	±30°	75x75mm 100x100mm	Black/Silver

Articulating Mount

• A811W

Features:

- Superior flexibility and movement
- Made of recycled iron material
- Max load capacity: 10kg
- Can mount monitor size up to 27"



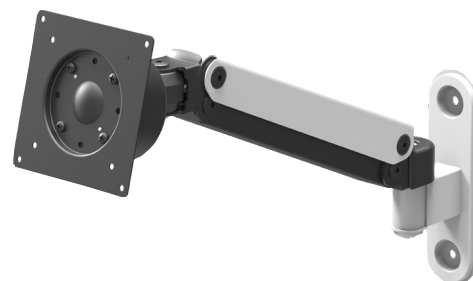
Model	Distance from wall	Max Load	Monitor Swivel	Swivel Left& Right	Pivot Up& Down	VESA	Color
A811W	10-56cm (3.9"-22")	10kg(22lb)	360°	±30°	±30°	75x75mm 100x100mm	Black/Silver

Wall Mount

• 851D

Features:

- Loading capacity from 3 to 8kg(6.6-17.6lb)
- Meets VESA standard: 75x75mm / 100x100mm
- Monitor rotation: 360°
- Monitor arm vertical adjustment up 60°,down 30°



Model	Max Load	Monitor Swivel	Swivel Left& Right	Pivot Up& Down	VESA	Color
A851D01	3~8kg Per one monitor	360°	±90°	±20°	75x75mm 100x100mm	Black/Red White/Silver
A851D02	1~3kg Per one monitor	360°	±90°	±20°	75x75mm 100x100mm	Black/Red White/Silver

Wall Mount

• 851E

Features:

- Loading capacity from 3 to 8kgs (6.6-17.6lb)
- Meets VESA standard: 75x75mm/ 100x100mm
- Monitor rotation: 360°
- Monitor arm vertical adjustment up 60°,down 30°



Model	Max Load	Monitor Swivel	Swivel Left& Right	Pivot Up& Down	VESA	Color
A851E01	3~8kg Per one monitor	360°	±90°	±20°	75x75mm 100x100mm	Black/Red White/Silver
A851E02	1~3kg Per one monitor	360°	±90°	±20°	75x75mm 100x100mm	Black/Red White/Silver

Wall Mount

• FC8888WP

Features:

- Easy to mount on the wall
- Vertical moving dist: 390mm
- Max Long: 538mm Horizontal dist: 390mm



Model	Distance from wall	Max Load	Monitor Swivel	Swivel Left& Right	Pivot Up& Down	VESA	Color
FC8888WP	54cm (21.2")	7kg(15.4lb)	±90°	±90°	150°	75x75mm 100x100mm	Black/White

Pole Mount

• FC8888PP

Features:

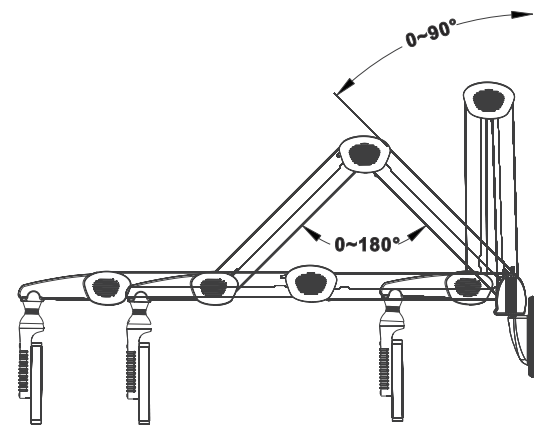
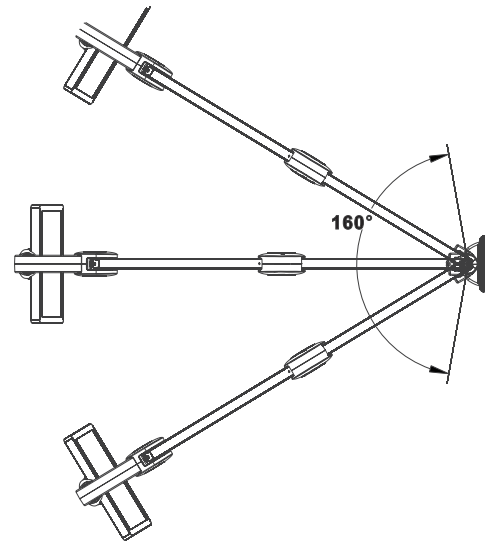
- Swivel arm mountable on vertical pipe for LCD monitors
- Superior flexibility and movement
- Pipe diameter range 40-50mm diameter (35-42mm extra rubber inside)
- Max length: 600mm (23.6")
- Horizontal moving dist: 390mm (15.3")
- Vertical moving dist: 390mm (15.3")



Model	Distance from wall	Max Load	Monitor Swivel	Swivel Left& Right	Pivot Up& Down	VESA	Color
FC8888PP	N/A	7kg(15.4lb)	±90°	±90°	150°	75x75mm 100x100mm	White

it's a clever idea!





Wall Mount

• A950

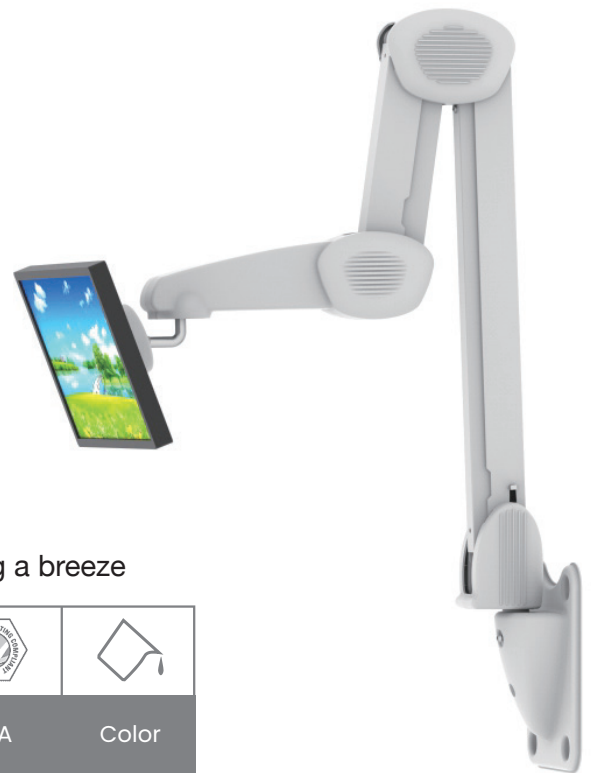
Features:

- For LCD monitor/ TV:Max load capacity: 6.0kg(13.2lb)
- Meets VESA mounting standard 75x75mm
- Distance from wall, min:435mm(17.1") max:1466mm (57.7")
- Hidden cable management
- Includes screws for concrete and wood mounting
- Easy installation and specialty design spring makes adjusting a breeze





Available in Desk Clamp



Wall Mount

• A953

Features:

- For LCD monitor/TV: Max load capacity: 6.0 kg(13.21 lb)
- VESA standard: 75x75 mm
- Screen rotate: 360°
- Screen pivot up & down: +20°/-30°
- Screen swivel left & right: ±40°
- Distance from wall, min:522mm(20.5”), max: 1217mm(47.9”)
- Hidden cable management
- Easy installation and specialty design spring makes adjusting a breeze

Model	Max Load	Monitor Swivel	Swivel Left& Right	Pivot Up& Down	VESA	Color
A953A01	6kg(13.21lb)	360°	±40°	+20°/-30°	75x75mm	White

Ceiling Mount

• A160A

Features:

- Can mount monitor size up to 70"
- Height adjustable from 1250mm to 2000mm (49.2"-78.7")
- Hidden cable management - easily route cables through tube

Model	Max Load	Monitor Swivel	Swivel Left& Right	Pivot Up& Down	VESA	Color
A160A	135kg(297lb)	±10°	360°	±45°	Multiple patterns	Black



Ceiling Mount

• A160B

Features:

- Can mount monitor size up to 70"

Model	Max Load	Monitor Swivel	Swivel Left& Right	Pivot Up& Down	VESA	Color
A160B	135kg(297lb)	±10°	360°	±45°	100x100mm 200x200mm 300x300mm	Black



Ceiling Mount

• FC8888SL

Features:

- 4 directions of ceiling mount
- Height adjustable from 500mm to 925mm(19.7"-36.4")
- Pole diameter: 35mm
- Pole rotation: 360°

Model	Max Load	Monitor Swivel	Swivel Left& Right	Pivot Up& Down	VESA	Color
FC8888SL	20kg(44lb)	±90°	360°	+45°/-90°	75x75mm 100x100mm	Black

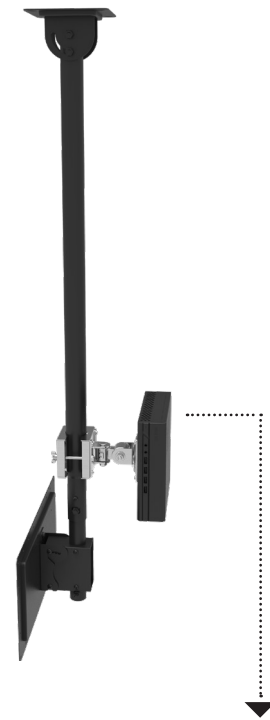


Ceiling Mount

• A180

Features:

- Max load capacity: 40kg(88lb)
- Height adjustable from 1100mm to 1500mm (43.3"-59")
- Monitor horizontal adjustable: $\pm 10^\circ$
- Monitor up & down tilt: $\pm 15^\circ$
- TV mount left & right swivel: 360°



FC8888SD is an optional item used for a microcomputer mounting.

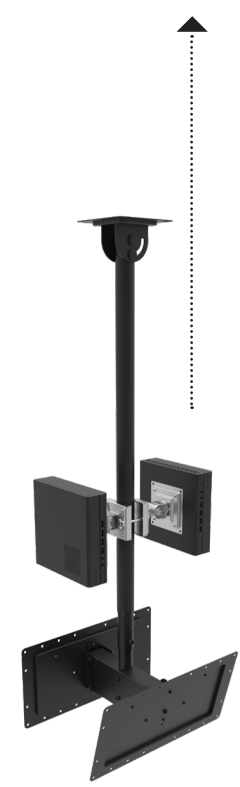
Model	Max Load	Monitor Swivel	Swivel Left& Right	Pivot Up& Down	VESA	Color
A180	40kg(88lb)	$\pm 10^\circ$	360°	$\pm 15^\circ$	200x200mm 300x200mm 400x200mm	Black

Ceiling Mount

• A181

Features:

- Each monitor max load capacity: 40kg(88lb)
- For 2 monitors
- Height adjustable from 1100mm to 1500mm(43.3"-59")
- Monitor horizontal adjustable: $\pm 10^\circ$
- Monitor up & down tilt: $\pm 15^\circ$
- TV mount left & right swivel: 360°



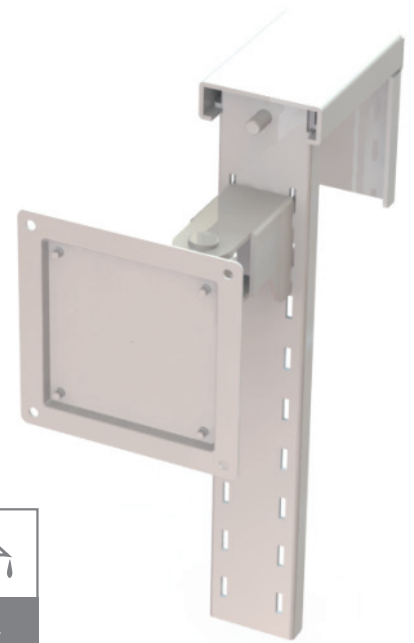
Model	Max Load	Monitor Swivel	Swivel Left& Right	Pivot Up& Down	VESA	Color
A181	40kg(88lb)	$\pm 10^\circ$	360°	$\pm 15^\circ$	200x200mm 300x200mm 400x200mm	Black

Partition Mount

• FC8888SP

Features:

- 4 directions mini partition mount
- Height: 320mm(12.5")
- Monitor with partition distance: 137mm(5.3")
- Partition wide range: 30-80mm(1.18-3.14")



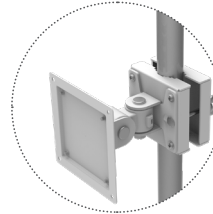
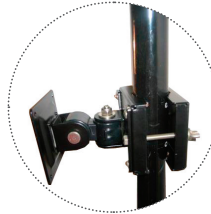
Model	Max Load	Monitor Swivel	Swivel Left& Right	Pivot Up& Down	VESA	Color
FC8888SP	15kg(33lb)	±90°	±45°	±90°	75x75mm 100x100mm	White

Pole Mount

• FC8888SD

Features:

- Mini swivel connector mounting on Pipe
- 3 directions mini pipe mount
- Length: 96mm(3.77"), applicable pipe diameter:17-45mm(0.66"-1.77")



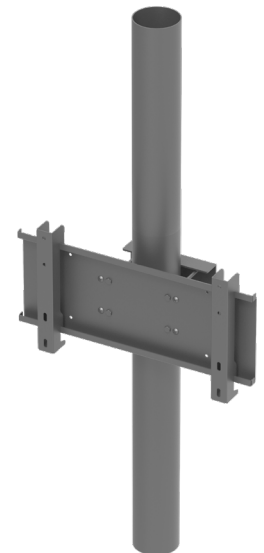
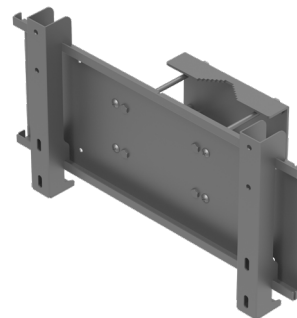
Model	Max Load	Monitor Swivel	Swivel Left& Right	Pivot Up& Down	VESA	Color
FC8888SD	15kg(33lb)	±90°	±45°	±90°	75x75mm 100x100mm	White/Black

Pole Mount

• A830

Features:

- Applicable pipe diameter:40~80mm (1.57"~3.14")



Model	Max Load	Monitor Swivel	Swivel Left& Right	Pivot Up& Down	VESA	Color
A830	15kg(33lb)	0°	0°	0°	X:30~405mm Y:100~200mm	Black

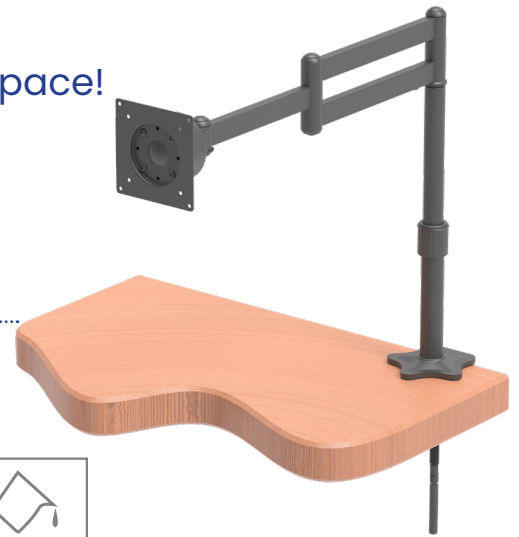
Desk-Mounted C-Clamp

• A815

Features:

- Easy to install with the perfect C-clamp desk mount
- Superior flexibility and movement
- 360° display side-to-side rotation
- Horizontal moving dist: ±535mm (21")
- Vertical moving dist: 289-423mm (11.37"-16.65")
- Able to clamp on desk thickness up to 10cm (3.9")
- Save your workspace

Save your workspace!



Model	Max Load	Monitor Swivel	Swivel Left& Right	Pivot Up& Down	VESA	Color
A815	10kg(22lb)	360°	±30°	±30°	75x75mm 100x100mm	Black

Desk-Mounted C-Clamp

• A813

Features:

- Superior flexibility and movement
- Horizontal moving dist: ±535mm (21")
- Vertical moving dist: 300-435mm (11.8"-17.1")
- Required desk thickness range: 10-75mm (0.39"- 2.95")



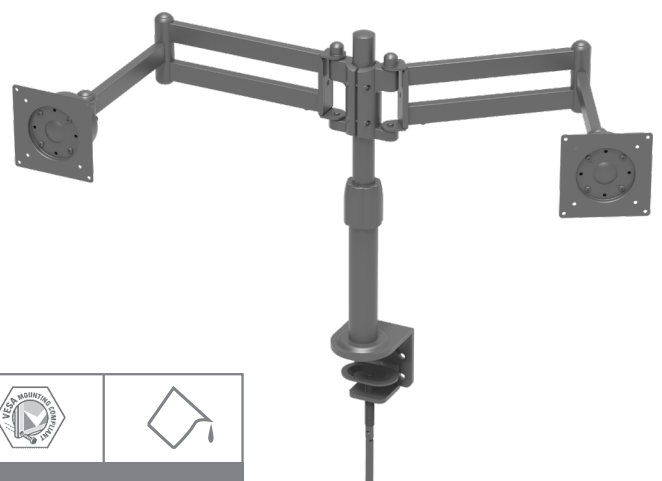
Model	Max Load	Monitor Swivel	Swivel Left& Right	Pivot Up& Down	VESA	Color
A813	10kg(22lb)	360°	±30°	±30°	75x75mm 100x100mm	Black/Silver

Desk-Mounted C-Clamp

• A820

Features:

- Articulating swivel arm for twin LCD monitors
- Integrate adjustable system, 2 arms on one pole
- Superior flexibility and movement
- Adjustable pole height: 305-410mm (12"-16.1")
- Horizontal max moving dist: 540mm (21.2")
- Able to clamp desk thickness up to 10cm(3.9")



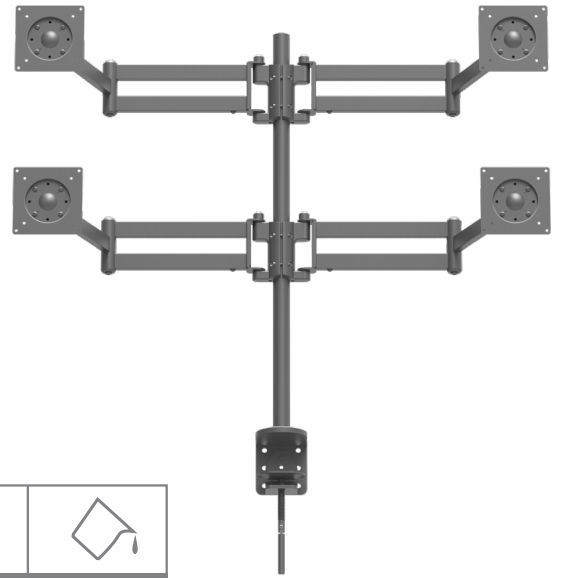
Model	Max Load	Monitor Swivel	Swivel Left& Right	Pivot Up& Down	VESA	Color
A820	10kg(22lb) Per Monitor	360°	±30°	±30°	75x75mm 100x100mm	Black/Silver

Desk-Mounted C-Clamp

• A840

Features:

- Articulating swivel arm for 4 LCD monitors
- Integrate adjustable system 4 arms on one pole
- Horizontal max moving dist: 540mm (21.2")
- Adjustable pole height: 105-640mm (4.1"-25.1")
- Able to clamp desk thickness up to 10cm (3.9")
- Save your workspace



Model	Max Load	Monitor Swivel	Swivel Left& Right	Pivot Up& Down	VESA	Color
A840	10kg(22lb) Per one monitor	360°	±30°	±30°	75x75mm 100x100mm	Black/Silver

Desk-Mounted C-Clamp

• A851

Features:

- Special design C-Clamp fits any surface
- Monitor arm vertical adjustment up 60°,down 30°



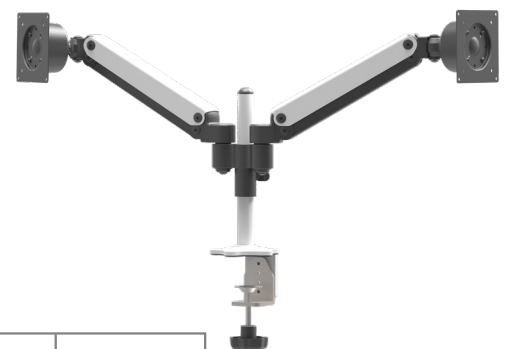
Model	Max Load	Monitor Swivel	Swivel Left& Right	Pivot Up& Down	VESA	Color
A851A01	3~8kg(6.6-17.6lb) Per one monitor	360°	±90°	±20°	75x75mm 100x100mm	Black/Red White/Silver
A851A02	1~3kg(2.2-6.6lb) Per one monitor	360°	±90°	±20°	75x75mm 100x100mm	Black/Red White/Silver

Desk-Mounted C-Clamp

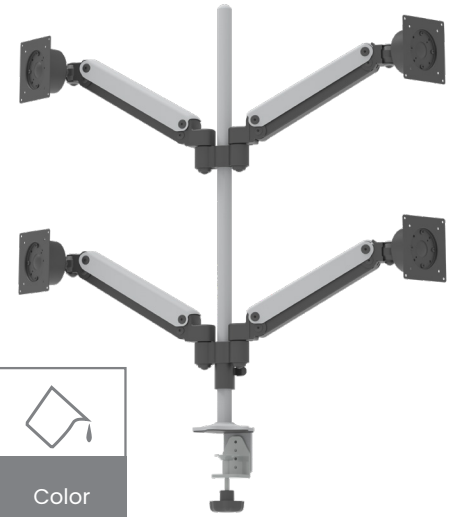
• A852

Features:

- Special design C-Clamp fits any surface for 2 LCD monitors
- Monitor arm vertical adjustment up 60°,down 30°



Model	Max Load	Monitor Swivel	Swivel Left& Right	Pivot Up& Down	VESA	Color
A852A01	3~8kg(6.6-17.6lb) Per one monitor	360°	±90°	±20°	75x75mm 100x100mm	Black/Red White/Silver
A852A02	1~3kg(2.2-6.6lb) Per one monitor	360°	±90°	±20°	75x75mm 100x100mm	Black/Red White/Silver



Desk-Mounted C-Clamp

• A854

Features:

- Special design C-Clamp fits any surface for 4 LCD monitors
- Monitor arm vertical adjustment up 60°, down 30°

Model	Max Load	Monitor Swivel	Swivel Left& Right	Pivot Up& Down	VESA	Color
A854A01	3~8kg(6.6-17.6lb) Per one monitor	360°	±90°	±20°	75x75mm 100x100mm	Black/Red White/Silver
A854A02	1~3kg(2.2-6.6lb) Per one monitor	360°	±90°	±20°	75x75mm 100x100mm	Black/Red White/Silver

C-Clamp

• FC8888P

Features:

- Special design C-Clamp fits any surface
- Horizontal dist: 315mm (12.4")
- Vertical dist: 285mm (11.22")
- Arm rotation: 360°



Model	Max Load	Monitor Swivel	Swivel Left& Right	Pivot Up& Down	VESA	Color
FC8888P	7kg(15.4lb)	±90°	±90°	150°	75x75mm 100x100mm	Black/White

C-Clamp

• FC8888IP

Features:

- Special design C-Clamp fits any surface
- Horizontal dist: 315mm (12.4") Vertical dist: 285mm (11.22")
- Arm rotation: 360°



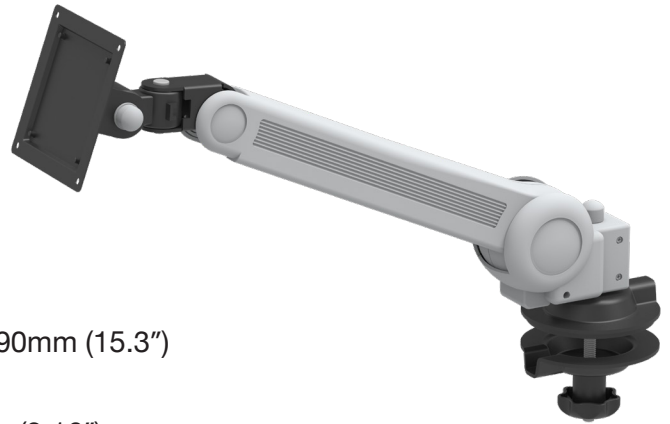
Model	Max Load	Monitor Swivel	Swivel Left& Right	Pivot Up& Down	VESA	Color
FC8888IP	7kg(15.4lb)	±90°	±90°	150°	75x75mm 100x100mm	Black/White

Grommet

• FC8888CP

Features:

- Max length: 538mm(21.1") Horizontal moving dist: 390mm (15.3")
- Vertical moving dist: 390mm (15.3")
- 5 directions desk mount; desk thickness up to 55mm (2.16")
- Table hole diameter range: 20-70mm (0.78"-2.75")
- Hidden cable management
- Arm rotation: 360°



Model	Max Load	Monitor Swivel	Swivel Left& Right	Pivot Up& Down	VESA	Color
FC8888CP	7kg(15.4lb)	±90°	±90°	150°	75x75mm 100x100mm	Black/White



Grommet

• FC8888HP

Features:

- Horizontal dist: 390mm (15.3") Vertical dist: 393mm (15.4")
- 5 directions desktop mount; desk thickness up to 55mm (2.16")
- Table hole diameter range: 20-70mm (0.78"-2.75")
- Hidden cable management
- Arm rotation: 360°



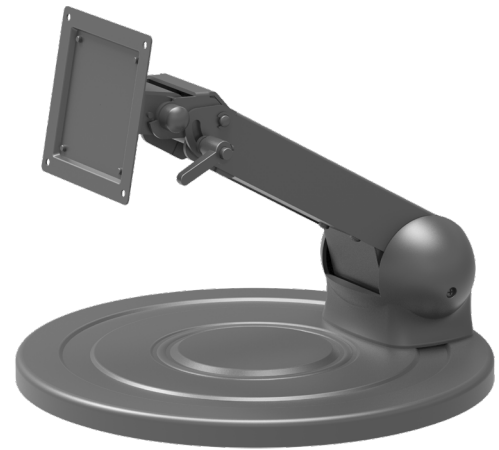
Model	Max Load	Monitor Swivel	Swivel Left& Right	Pivot Up& Down	VESA	Color
FC8888HP	7kg(15.4lb)	±90°	±90°	150°	75x75mm 100x100mm	Black/White

Touch Screen (or all in one PC) Desk Stand

• A500

Features:

- Horizontal dist: 276mm(10.8") Vertical dist: 285mm (11.2")
- 3 directions table stand
- Original upward & downward: 90°
- Pivot upward & downward: 90°
- Self-rotation: 360°
- Ideal Monitor touchscreen
- Include 4 holes to mount stand on table



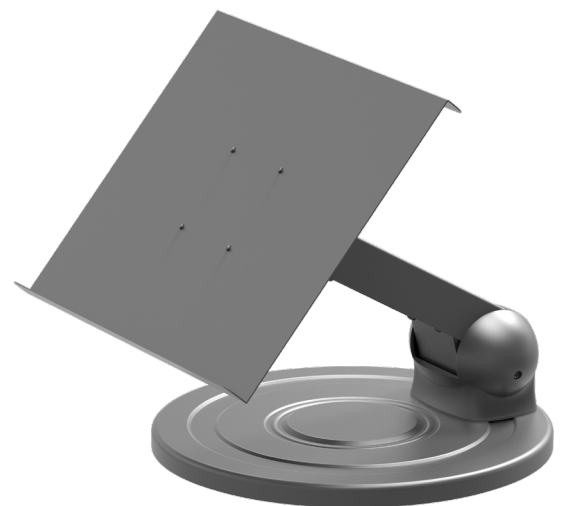
Model	Max Load	Monitor Swivel	Swivel Left& Right	Pivot Up& Down	VESA	Color
A500	15kg(33lb)	±90°	0°	±90°	75x75mm 100x100mm	Black

Table Stand

• A512

Features:

- Desktop arm stand for laptop, tablet computers
- Self-rotation: 360°
- Horizontal moving dist: 183mm (7.2")
- Vertical moving dist: 227mm (8.9")
- Laptop platform: 357x285mm (14"x11.22")



Model	Max Load	Monitor Swivel	Swivel Left& Right	Pivot Up& Down	VESA	Color
A512	15kg(33lb)	±90°	0°	±90°	N/A	Black

Desk-Mounted

• A812

Features:

- Can mount monitor size up to 26"
- The height and direction of LCD monitor/ TV is adjustable
- Horizontal swivel: 360° Vertical tilt: 60°
- Left / Right swivel: 60° Rotation: 360°
- Cable management



Model	Max Load	Monitor Swivel	Swivel Left& Right	Pivot Up& Down	VESA	Color
A812	10kg(22lb)	360°	±30°	±30°	75x75mm 100x100mm	Black

Desk-Mounted

• A822

Features:

- Two short arms for twin LCD monitors on vertical pole stand
- Integrate adjustable system, 2 short arms on one vertical pole
- Easy to install with the perfect desk stand
- Superior flexibility and movement
- Vertical moving up & down dist: 660mm(26")
- Tilting any directions: 30°
- Stand dimension: 300x300mm(11.8"x11.8")
- Max. pole height: 720mm (28.34")



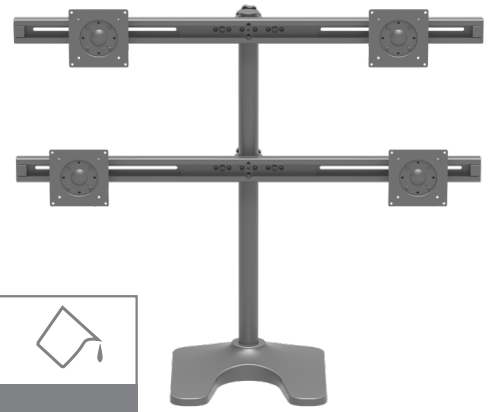
Model	Max Load	Monitor Swivel	Swivel Left& Right	Pivot Up& Down	VESA	Color
A822	10kg(22lb) Per monitor	360°	±30°	±30°	75x75mm 100x100mm	Black

Desk-Mounted

• A828

Features:

- For 4 LCD monitors
- Superior flexibility and movement
- Monitor arm rotation: 360°
- Horizontal moving dist: 316~776mm(12.4"-30.5")



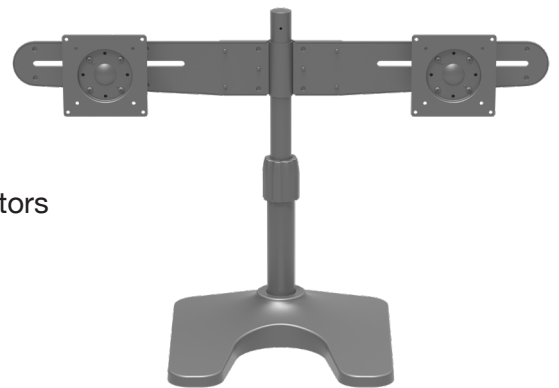
Model	Max Load	Monitor Swivel	Swivel Left& Right	Pivot Up& Down	VESA	Color
A828	10kg(22lb) Per monitor	360°	±20°	±20°	75x75mm 100x100mm	Black

Desk-Mounted

• A862

Features:

- Swivel arm for 2 LCD monitors; apply for any 15"-20" LCD monitors
- Superior flexibility and movement
- Monitor arm rotation: 360°
- Horizontal max moving dist: 635mm (25")
- Vertical moving dist: 300-425mm (11.8"-16.7")



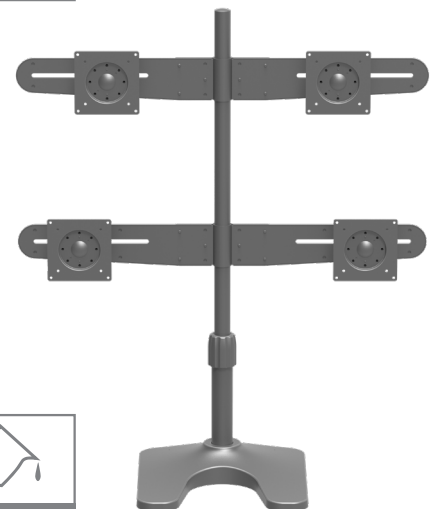
Model	Max Load	Monitor Swivel	Swivel Left& Right	Pivot Up& Down	VESA	Color
A862	7kg(15.4lb) Per monitor	360°	±15°	±20°	75x75mm 100x100mm	Black

Desk-Mounted

• A864

Features:

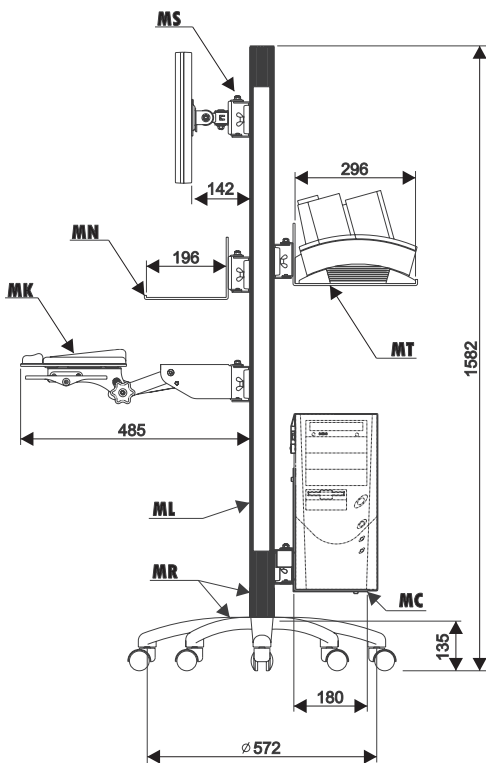
- Swivel arm for 4 LCD monitors; apply for any 15"-20" LCD monitors
- Superior flexibility and movement
- Monitor arm rotation: 360°
- Horizontal max moving dist: 635mm (25")
- Vertical moving dist: 410-805mm (16.14"-31.69")



Model	Max Load	Monitor Swivel	Swivel Left& Right	Pivot Up& Down	VESA	Color
A864	6kg(13.2lb) Per monitor	360°	±15°	±20°	75x75mm 100x100mm	Black

Mobile Workstation

• A300M



Features:

- Easily moves a computer system anywhere
- Wide: 572mm Height: 1582mm, Material of pole: Aluminum
- Ergonomically accommodates with keyboard and LCD arm
- 360° display side-to-side rotation
- Panel swivel left & right: 180°
- Pivot upward & downward: 90°
- Keyboard pad is iron platform with mouse pad
- Platform tilt adjustment range: +15° to -20°
- CPU holder load any sizes of box
- Add accessories to customize cart to your needs
- Max loading capacity: 100kg (220lb)

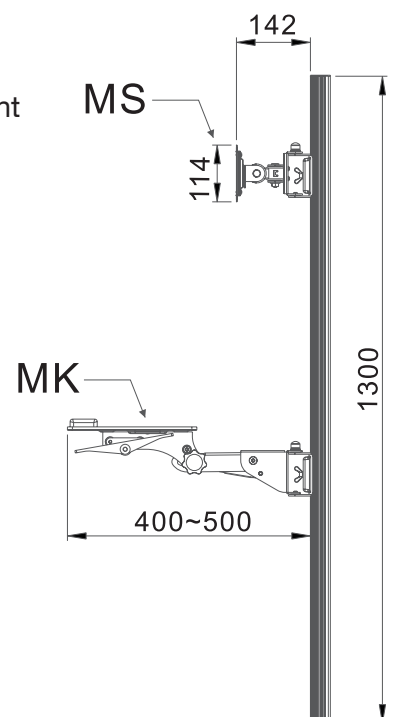
Adjustable LCD TV Stand on Wall

• A310



Features:

- Unique design wall mount
- Pole comes with monitor with optional DVD, keyboard and mouse attachment
- Superior flexibility and functionality
- Net weight: 2kg Wide: 500mm(19.6") Height:1300mm (51.1")
- Material of pole: Aluminum
- Keyboard pad is iron platform with mouse pad
- Platform tilt adjustment range: +20° to -20°
- Ergonomically accommodates with keyboard and LCD arm
- Add accessories to customize stand to your needs



Model	Max Load	Monitor Swivel	Swivel Left& Right	Pivot Up& Down	Color
A310	100kg(220lb)	±180°	±90°	±90°	Silver

CPU Holder

• FC666

Features:

- 360° swivel, 2 way rotation
- All made of metal material
- Can be push to storage easily
- Easy to install (DIY)
- Adjustable width to fit most CPUs
- Width range: 190mm~240mm(7.48"-9.44"),
Max Height: 480mm(18.89")
- Loading weight:12kg (26.4lb)

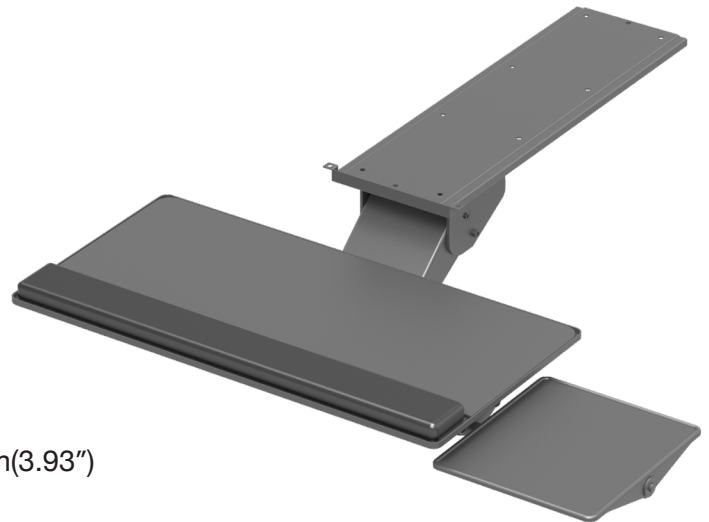


Ergonomic Keyboard Arm

• FC2150

Features:

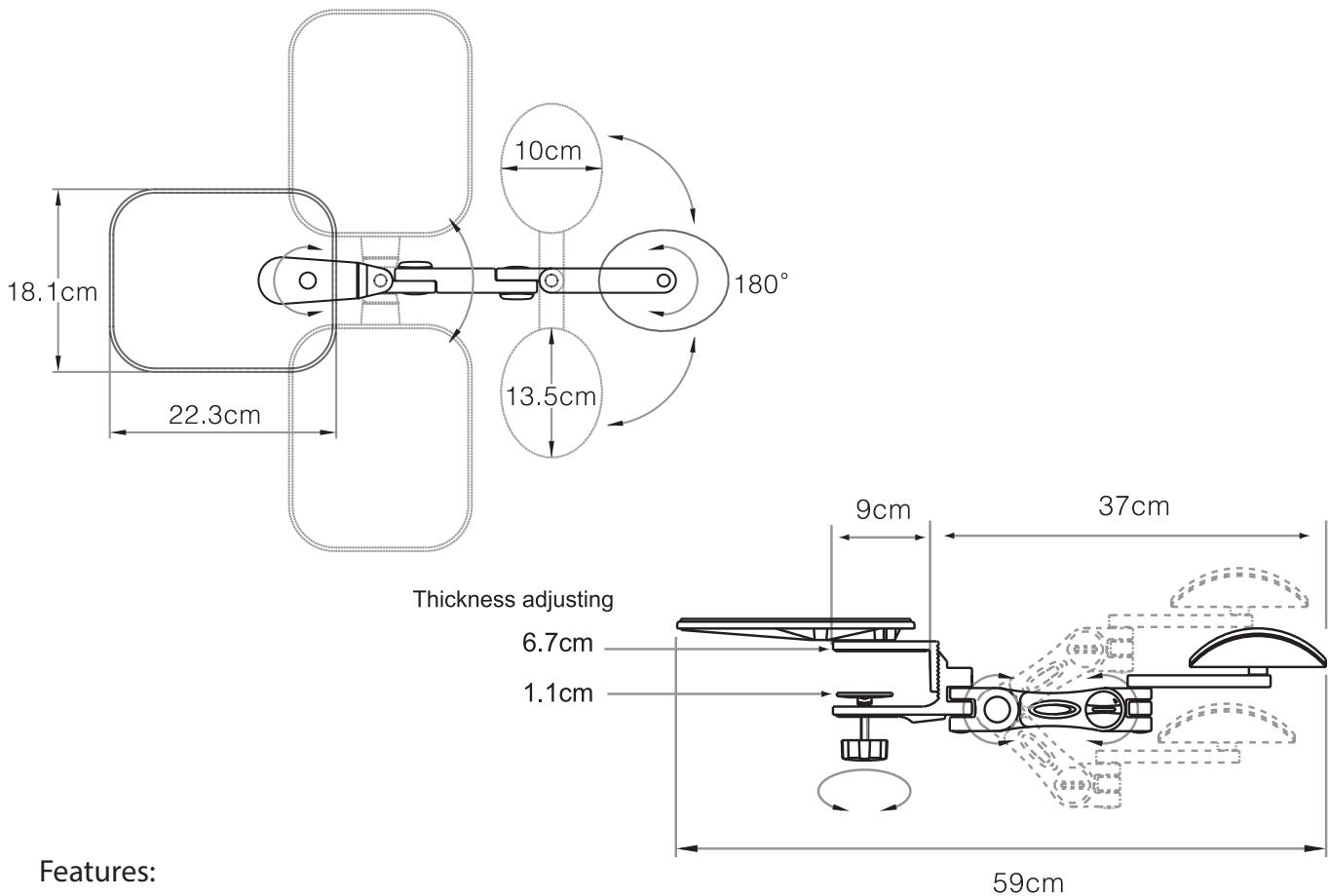
- Iron platform
- With iron mouse pad
- Platform tilt adjustment range: +15° to -20°
- Base swivel: 360°
- Maximum height adjustment: 160mm(6.29")
- Keyboard moving up: 60mm(2.36") down: 100mm(3.93")
- Slide dimension: 450(D)x136(W)mm(17.7"x 5.3")
- Keyboard platform dimension: 500mm(W)x260(D)mm (19.6"x 10.2")
- Using GEL Wrist Pad
- Loading weight:12kg (26.4lb)



Arm-Stand

• FC200

Arm-Stand computer armrest is designed according to ergonomics in order to prevent the ache of head and shoulders, acid wrist and tendon inflammation caused by the long-term use of computer. This product will definitely be the good news for those who always using computer.



Features:

- 360° swivel for Arm holder, 2 section for up&down and left&right adjustment
- All made of aluminum alloy+ plastic forming material
- Width range: 14-59cm(5.5"-23.22"), Height range: up&down 12cm(4.7") each
- Arm rest move anywhere easily
- Easy to install (DIY)
- Adjustable width to fit most tables
- Loading weight: 12kg(26.4lb), Weight: 1.12kg (2.46lb)

Extensively adjust space up, down and horizontally as you like.



WWW.A-CLEVER.COM



✉ No.557, Fong Ping 1st Rd.,
Daliao District, Kaohsiung 831, Taiwan

☎ Tel: +886-7-7015106
Fax: +886-7-7022727

@ sales@a-clever.com

